

Telescopic pillar TLT



Very small built-in dimension



Powerful



Standards
EN/IEC 60601-1
UL 60601-1

TLT

Telemag telescopic pillar

Benefits

- Very small built-in dimension
- Powerful

Standards

- EN/IEC 60601-1
- UL 60601-1

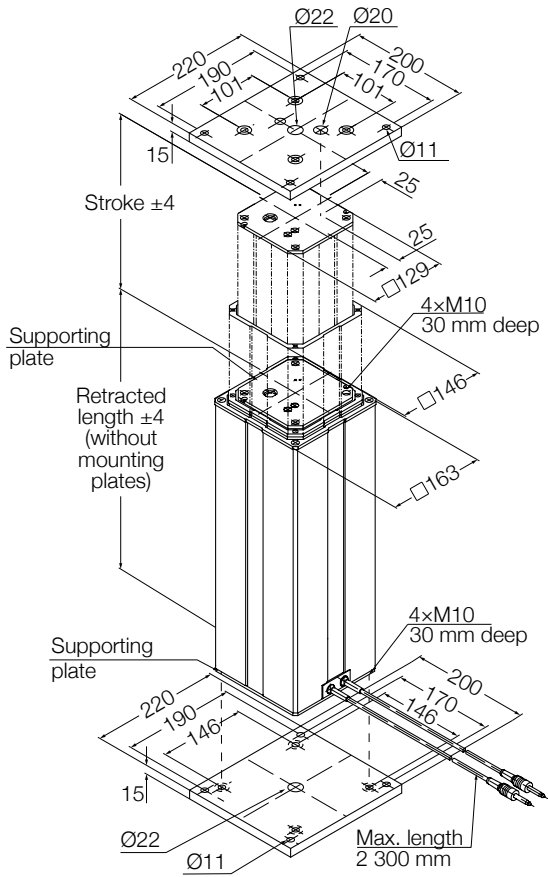


Technical data

	Unit	TLT10-A1	TLT10-A2	TLT10-B1	TLT10-C1	TLT10-C2
Rated push load	N	3 000	4 000	2 000	1 000	2 000
Rated pull load	N	0	0	0	0	0
Bending load	Nm	up to 400 ¹⁾	up to 1 000 ¹⁾	up to 250 ¹⁾	up to 110 ¹⁾	up to 480 ¹⁾
Speed (full load to no load)	mm/s	11 to 16	13 to 19	13 to 19	25 to 36	25 to 42
Telescopic pillar version	# of section	3-section	3-section	3-section	3-section	3-section
Stroke	mm	300 to 700	300 to 700	300 to 700	300 to 700	300 to 700
Retracted length	mm	0,5 × S+170	0,5 × S+240	0,5 × S+170	0,5 × S+170	0,5 × S+240
Voltage	V DC	24	24	24	24	24
Power	W	168	168	192	192	216
Current	A	2×3,5	2×3,5	2×4,5	2×4,5	2×4,5
Duty cycle: intermittent operation	min.	1 min./9 min	1 min./9 min	1 min./9 min	1 min./9 min	1 min./9 min
Ambient temperature	°C	+10 to +40	+10 to +40	+10 to +40	+10 to +40	+10 to +40
Type of protection	IP	40	40	40	40	40
Protection class	-	SELV	SELV	SELV	SELV	SELV
Type of control	-	electrical	electrical	electrical	electrical	electrical
Weight	kg	15 to 30	15 to 30	15 to 30	15 to 30	15 to 30

¹⁾ For details, please see bending load diagrams (↳ page 4)

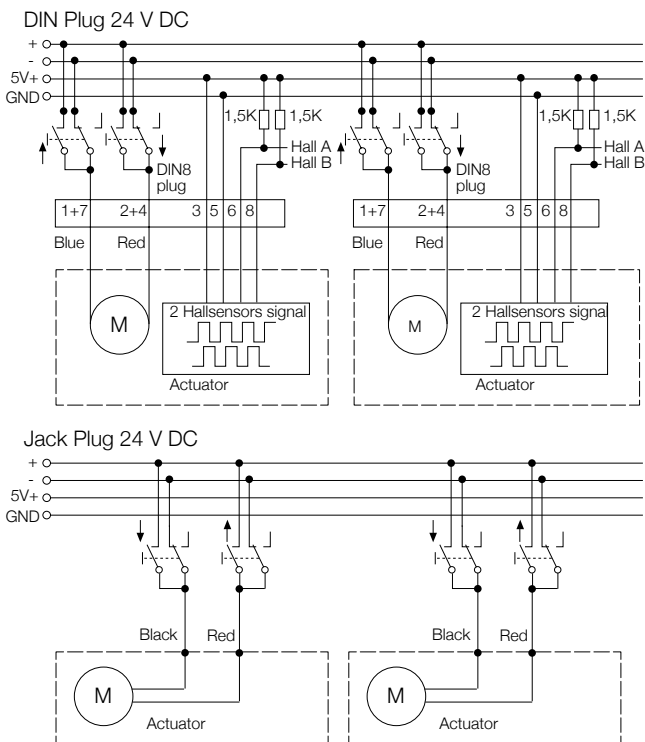
Dimensional drawing



Note: mounting plates are not included. To be ordered separately.

Legend:
 S = stroke
 L = retracted length

Connecting diagrams



Suitable control units and accessories

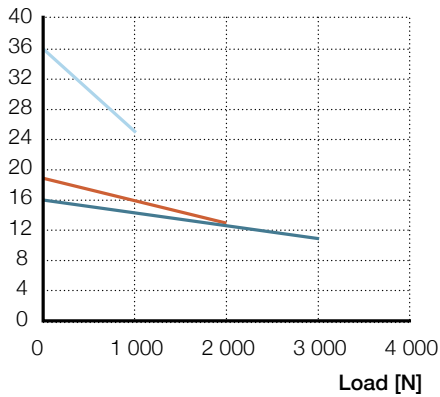
	Control units			
	SCU	VCU	BCU	MCU
TLT	•	•	•	•
Operating switches				
EHA 1				•
EHA 3	•	•	•	
STF				•
STJ	•	•	•	
STA				•
STE	•	•	•	

¹⁾ Only valid with TLG11. TLG10 must be operated by a BCU, MCU, SCU or VCU control unit.

Performance diagrams

Speed-load diagram

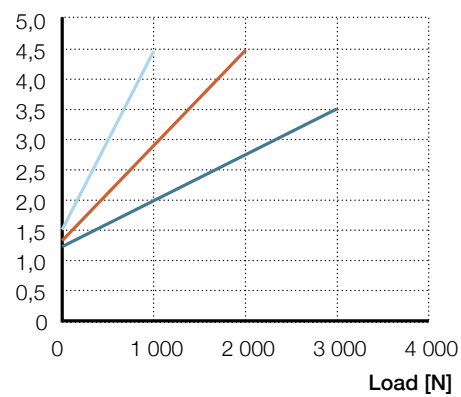
Speed [mm/s]



— A1 — B1 — C1

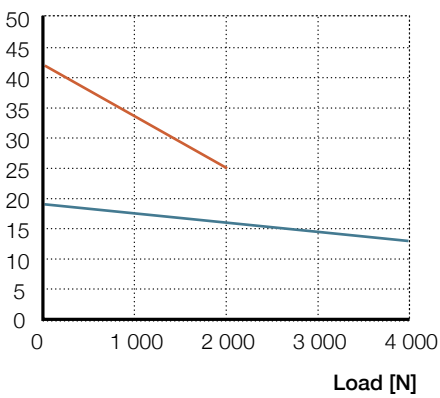
Current-load diagram

Current consumption [A]



Speed-load diagram

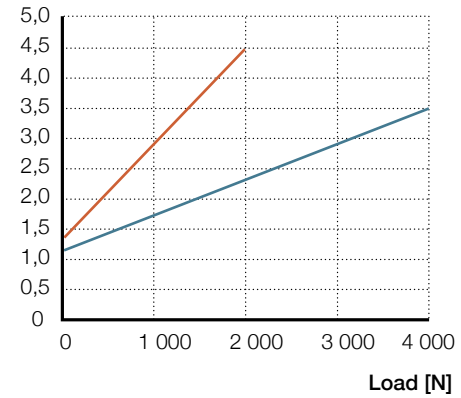
Speed [mm/s]



— A2 — C2

Current-load diagram

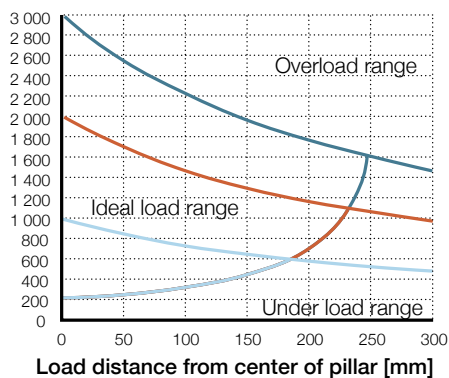
Current consumption [A]



Bending load diagrams

Bending load diagram A1, B1, C1

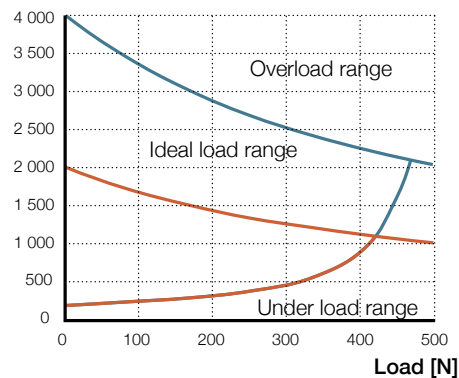
Load [N]



— TLT1 A-1 — TLT1 B-1 — TLT1 C-1

Bending load diagram A2, C2

Load [N]



— TLT1 A-2 — TLT1 C-2

Accessories

	Designation	Order number
Top mounting plate	ZPL-290268	0125624
Bottom mounting plate	ZPL-290265	0125623
Screw (4/plate) for mounting plate	ZBE-510707	0125360

Ordering key

TLT 1 - - - - - 0 0 0

Type

Voltage

0 24 V DC

1 24 V DC with integrated current cut-off (only for A2 and C2)

Load / Speed

A2 4 000 N

A1 3 000 N

B1 2 000 N / 19 to 13 mm/s

C2 2 000 N / 42 to 25 mm/s

C1 1 000 N

Stroke [S]

3 300 mm

4 400 mm

5 500 mm

6 600 mm¹⁾

7 700 mm¹⁾

Cable / connecting plug

1 Straight, 1,0 m / jack plug

2 Straight, 2,3 m / jack plug

A Coiled, 0,6 m / jack plug

3 Straight, 1,0 m / DIN8 plug

4 Straight, 2,3 m / DIN8 plug

B Coiled, 0,6 m / DIN8 plug

Option

0 No option

A 1-Hall encoder, 8 pulses, cable with jack plug

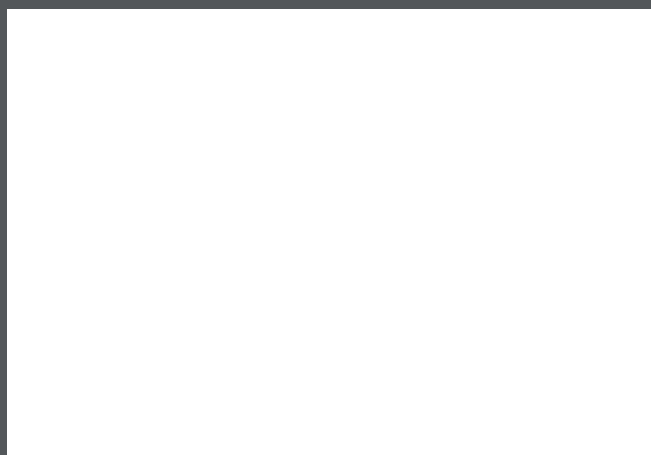
C Cable feedthrough, 3x1,5 mm², top +160 mm, bottom +800 mm

D Cable feedthrough, 1-Hall encoder, 8 pulses, cable with jack plug

F 2-Hall encoder, cable with DIN8 plug

¹⁾ Reduced safety factor

■ Options shown in red are only available on demand. Contact Ewellix for more information on minimum quantities and additional cost.



ewellix.com

© Ewellix

All contents of this publication are the property of Ewellix, and may not be reproduced or given to third parties (even extracts) without permission. Although great care has been taken in the production of this catalog, Ewellix does not take any responsibility for damage or other loss resulting from omissions or typographical errors. The photo may differ slightly in appearance from the actual product. Due to continuous improvements being made in our products, the product's appearance and specifications are subject to change without notice.

PUB IL-07011/1-EN-March 2020